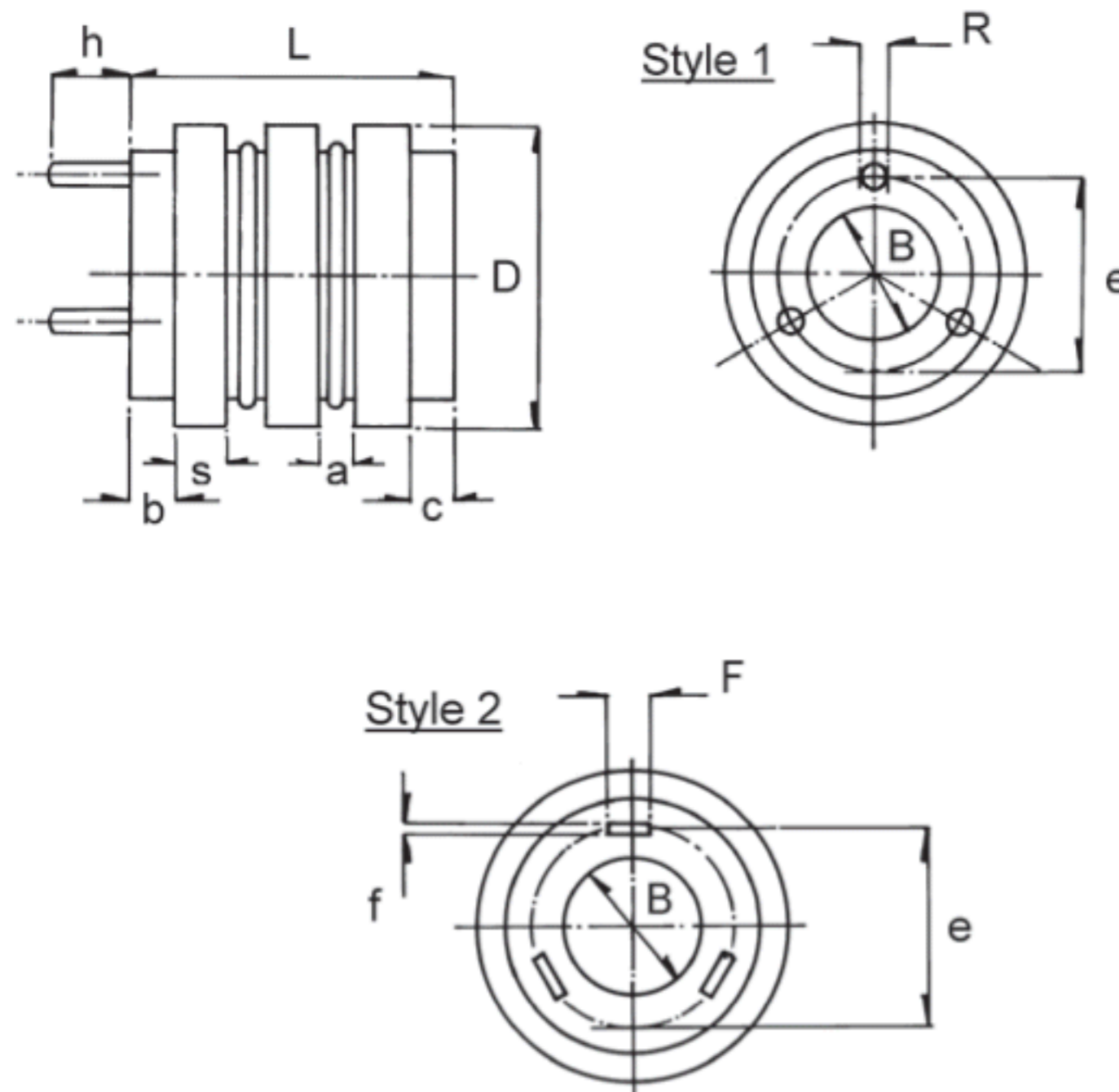


Moulded Slip Rings Assemblies 1-3 ways

Designed as a range of robust high speed moulded slip ring assemblies that also lend themselves to a multitude of slower and medium speed applications. Ring material is standard as phosphor-bronze grade PB1 to BS 1400, but some units use copper and are identified as such in the table. The insulation medium is thermoset glass-reinforced DMC based on unsaturated polyester resin (Grades 43-2036/597 and 43-2036/623). Applications include: Alternators, Slip Ring Motors, Frequency Changers, Cable Reeling Drums, Cable Bunching Machines, Rotary Display Lighting, Electro-Magnetic Clutches, Wind Generators, Packaging Machines, Rotary Welding Machines, Leisure Rides and Power and Signal Transfer Packages.



Reference Number	No. of Rings	D.	S.	Standard Bores B.	Max. Bore Size	L.	a.	b.	c.	e.	Style 1 R.	Style 2 F x f	h.	Other Features
1 - 90 - 10 - 3 1/8 "	1	90	10	3 1/8 "	80	16.5	-	4	2.5	-	-	-	-	Lug size 0.125 " x 0.020 "
2 - 24 - 5 - 10 *	2	24	5	10	12	11.75	1.25	-	-	16.75	1.6	-	7	Flat insulation barrier
2 - 24 - 9.1 - 10 *	2	24	9.1	10	12	21.5	0.76	-	2.5	16.75	1.6	-	6.3	Flat insulation barrier
2 - 24 - 10 - 11.8 *	2	24	10	11.8	11.8	28	5	1.5	1.5	16	1.6	-	7	Flat insulation barrier
2 - 32 - 8 - 15	2	32	8	9/16 " / 15 / 16	16	21	6	3	2	22.5	-	-	18	Flat insulation barrier
2 - 40 - 9.5 - 16	2	40	9.5	19 & 22	22	26	3	1.75	1.75	27	-	5 x 1	10	Flat insulation barrier
2 - 42 - 9.5 - 24	2	42	8	24	24	26	4	5	1	30	-	5 x 1	10	Flat insulation barrier
2 - 45 - 10 - 22.4	2	45	10	22.4	24	25	3	1	1	29.5	-	5 x 1	10	Flat insulation barrier
2 - 52 - 10 - 25	2	52	10	25 / 25.4 / 19	30	30	7	2	1	40	-	5 x 1	7	Raised barrier. 7.0mm x 8.0 diameter shroud on terminal
2 - 57 - 8 - 25.4	2	57	8	25.4	28	34.7	9.5	4.7	4.7	40	M 4	-	11	Raised barrier. Grubscrew & keyway W5.0 D3.0
2 - 60 - 10 - 25	2	60	10	25 / 30 / 1"	30	44	6.8	6.8	10	47	M 5 or M 6	-	10	Raised barrier
2 - 60 - 10 - 28	2	60	10	28	32	34	7	4	3	42	-	8 x 1	15	Raised barrier
2 - 62 - 9.52 - 25.337	2	62	9.52	25.337	28	33.32	4.76	4.76	4.76	46	M5	-	8	Raised barrier
2 - 70 - 10 - 30	2	70	10	30	32	36.35	6	6.35	4.25	48	M 5	-	18	Steel Bush
2 - 70 - 10 - 31.75	2	70	10	31.75 / 34.8 / 35	35	36	6	6	5	48	4mm	10 x 1	12	Raised barrier
2 - 80 - 7.5 - 50	2	80	7.5	50 & 2 "	50	36	6.7	5	9.3	63	M 5	-	9	Raised barrier
2 - 80 - 9.5 - 25.4	2	80	9.5	25 / 25.4	42	38	9.5	4.75	4.75	57	M 5	-	13	Grubscrew & keyway W4.5 D3.0
2 - 80 - 12 - 38.1	2	80	12	38.1	50	42.7	12.5	1.6	4	60	-	10 x 1	-	Raised barrier
2 - 102 - 12.7 - 44.3	2	102	12.7	25/1.734"/1.937"	50	52.4	12.7	8	6.3	73	M 6	-	16	Grubscrew & keyway W4.0 D3.0
2 - 150 - 15 - 30	2	150	15	From 30 mm	80	59	14	10	5	112	M 8	-	19	Raised barrier
3 - 32 - 8 - 16	3	32	8	16	16	40	6	3	1	22.5	1.6	-	3	Flat insulation barrier
3 - 40 - 9.5 - 16	3	40	9.5	19 & 22	22	38	3	1.75	1.75	27	-	5 x 1	10	Flat insulation barrier
3 - 52 - 10 - 25.4	3	52	10	25.4	30	52	7	7	1	40	-	5 x 1	7	Raised barrier
3 - 60 - 7 - 21	3	60	7	21 / 25 / 32	32	38.4	5 / 8	2.5	1.5	45	M 4	-	8	Flat insulation barrier Grubscrew fixing
3 - 60 - 10 - 30	3	60	10	1" / 25 / 30	32	61	7	7	10	48	M 5	-	15	Raised barrier
3 - 62 - 9.52 - 25.337	3	62	9.52	25.337	28	47.6	4.76	4.76	4.76	46	M5	-	8	Raised barrier
3 - 70 - 10 - 34.8	3	70	10	34.8 & 35	35	53.2	6	6	4.5	48	M 5 or M 6	-	15	Raised barrier
3 - 80 - 7.5 - 50	3	80	7.5	50	50	50	6.5	5	9.5	64	M 5	-	6	Flat insulation barrier Grubscrew fixing
3 - 80 - 12 - 1.50 "	3	80	12	1.25 " & 1.50 "	47	69.5	12.4	4	4	47	M 5	-	15	Keyway W5.0 D3.0
3 - 82 - 12.7 - 44.45	3	82.5	12.7	44.45	45	89	9.5	6.3	4.7	30	M 5	-	14	Raised barrier / Bushed
3 - 100 - 14.3 - 45	3	100	14.3	45	56	74.9	9.5	7.3	5.3	72	M 8	-	15	Studs can be up to 20 long
3 - 102 - 14.3 - 28.5	3	102	14.3	28.5	56	74.9	9.5	7.3	5.3	72	M5/M6/M8	-	15	Raised barrier
3 - 120 - 12.7 - 58	3	120	12.7	58	75	76.3	12	6.5	6	94	M 8	-	18	Terminal length includes shroud
3 - 120 - 19 - 2 "	3	120	19	2 " (50.8)	60	132	14.25	14.25	7.75	90	2 x M8/Ring	-	21	Bushed
3 - 127 - 19 - 34.9	3	127	19	34.9 & 1.600 "	85	89.3	9.5	7.8	4.6	96	M6 or M8	-	15	Raised barrier
3 - 165 - 19 - 70	3	165	19	70 & 87	112	114.8	16	13.2	12.8	90	2 x M8/Ring	-	32	Terminal length includes shroud
3 - 190 - 25.4 - 108	3	190	25.4	108	130	143	19	14.4	14.4	157	2 x M8/Ring	-	27	Terminal length includes shroud
3 - 220 - 32 - 70	3	220	32	70	70	186	20	20	30	164	M16	-	15	Raised barrier. Grubscrew & keyway W12.0 D4.0
3 - 290 - 27.3 - 145	3	291	27.3	145	145	190	18.35	40	24	232	2 x M16/Ring	-	50	Bushed

*Copper rings

NB. Details for 4 way and above slip rings are shown on Data Sheet No. 9