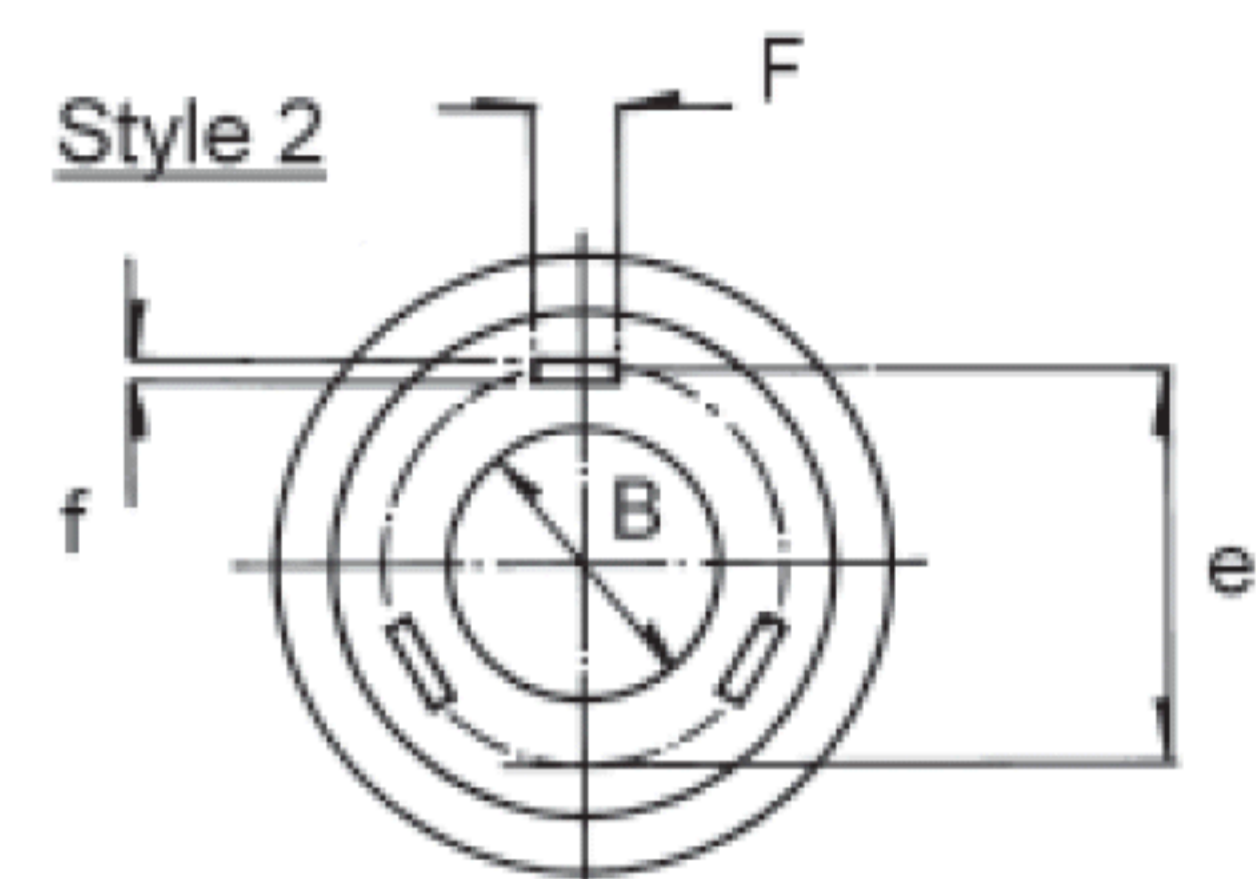
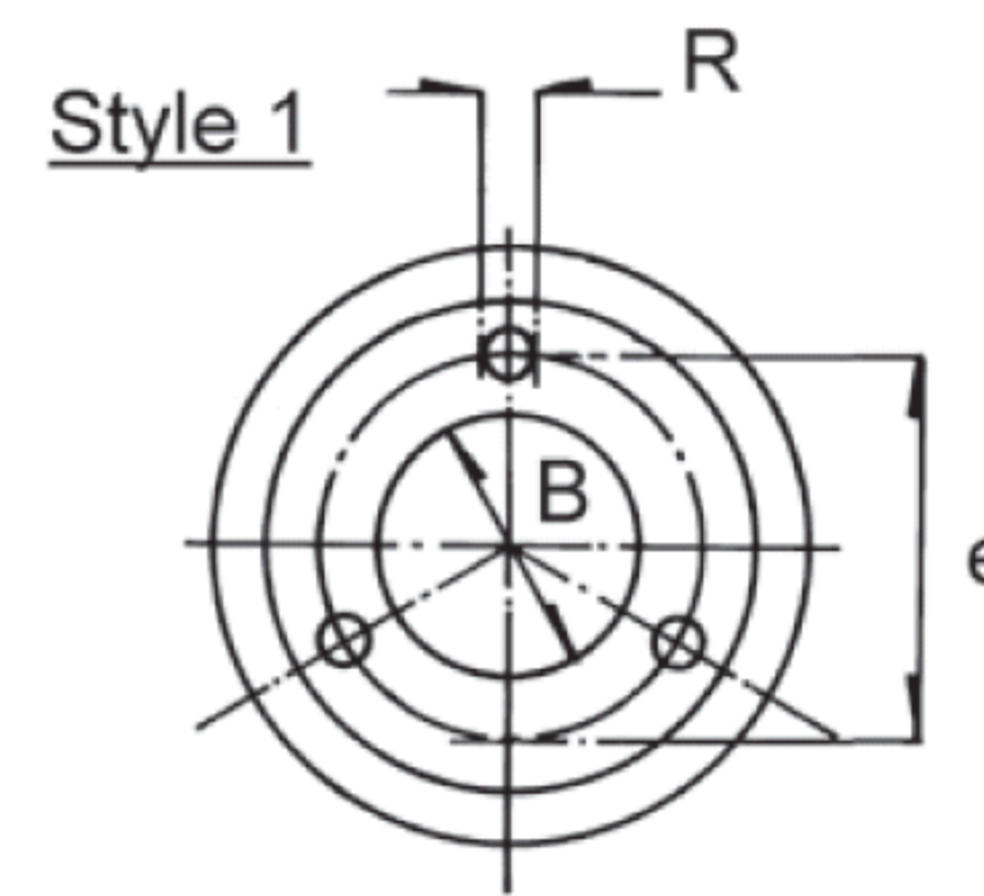
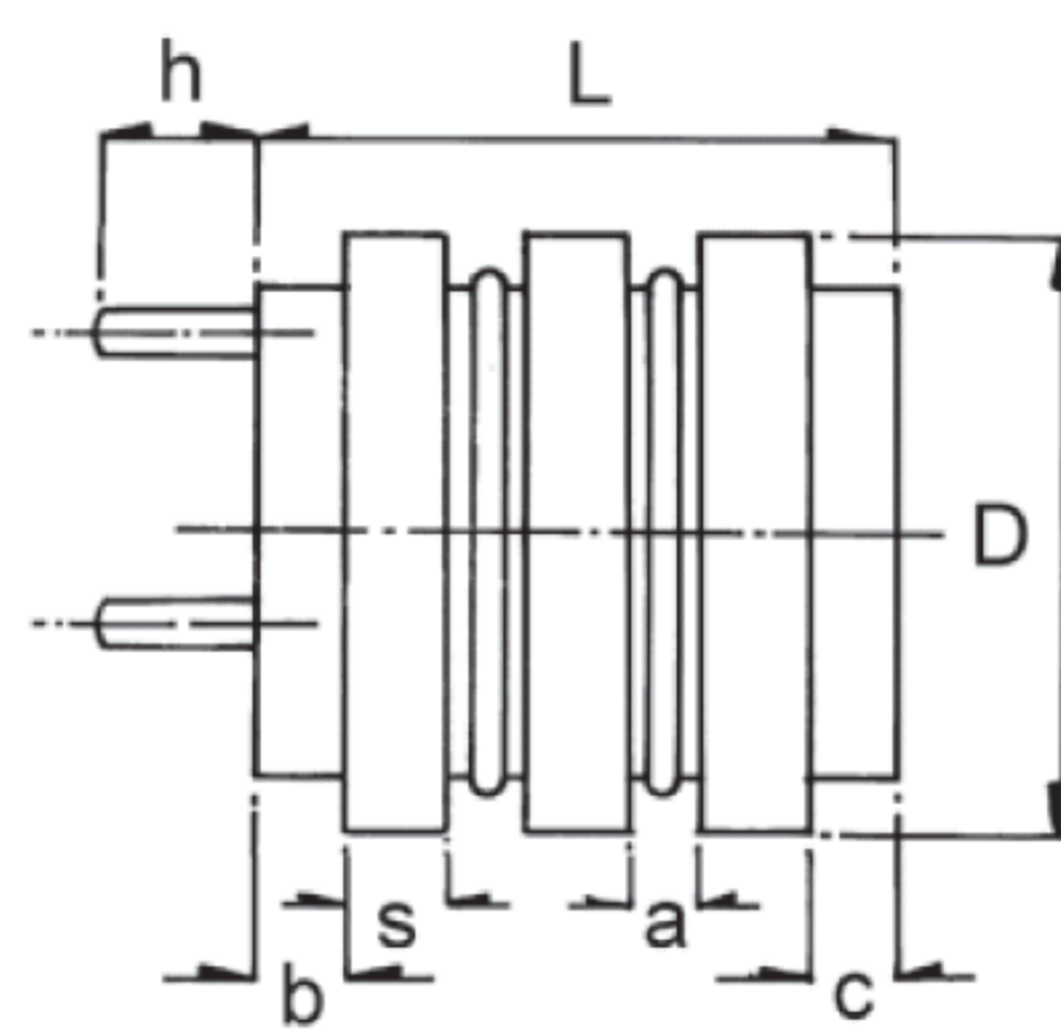


## Moulded Slip Rings Assemblies 4 Ways & Above



Designed as a range of robust high speed moulded slip ring assemblies that also lend themselves to a multitude of slower and medium speed applications. Ring material is standard as phosphor-bronze grade PB1 to BS 1400. The insulation medium is thermoset glass-reinforced DMC based on unsaturated polyester resin (Grades 43-2036/597 and 43-2036/623).

Applications include: Alternators, Slip Ring Motors, Frequency Changers, Cable Reeling Drums, Cable Bunching Machines, Rotary Display Lighting, Electro-Magnetic Clutches, Wind Generators, Packaging Machines, Rotary Welding Machines, Leisure Rides and Power and Signal Transfer Packages.



Reference Number	No. of Rings	D.	S.	Standard Bores B.	Max Bore Size	Style 1		Style 2		Other Features				
						L.	a.	b.	c.		e.	R.	F x f	h.
4 - 32 - 8 - 12	4	32	8	12	16	54.5	6	3.5	1.5	22.5	1.6	-	3	Flat insulation barrier
4 - 40 - 9.5 - 22	4	40	9.5	22	22	50.5	3	2	1.5	27	-	5 x 1	10	Flat insulation barrier
4 - 48 - 5 - 30	4	48	5	25 / 30	30	47	3	8	10	37.5	M 4	-	15	Raised barrier
4 - 52 - 10 - 25.4	4	52	10	25.4	28	64	7	1	1	40	-	5 x 1	14	Terminal length includes shroud
4 - 57 - 8 - 25.4	4	57	8	25.4	32	69.8	9.5	4.7	4.7	40	M 4	-	11	Modular construction
4 - 60 - 10 - 25	4	60	10	25 & 30	30	78.5	7	6	11.5	40	M 5	-	15	M5 Grubscrew fixing
4 - 60 - 10 - 28	4	60	10	28	30	73.2	7	6	6	40	M 5 or 5	-	7	Terminal length up to 20
4 - 62 - 9.52 - 25.337	4	62	9.52	25.337	28	61.88	4.76	4.76	4.76	46	M5	-	8	Raised barrier
4 - 70 - 10 - 34.8	4	70	10	34.8/35/31.75	38	68	6	5	4.5	48	-	10 x 1	12	Plain copper stud
4 - 80 - 7.5 - 50	4	80	7.5	50	52	63.75	6.5	5	9.5	64	M 5	-	9	Flat insulation barrier Grubscrew fixing
4 - 80 - 9.5 - 25.4	4	80	9.5	25/25.4/36.6	44	76	9.5	4.7	4.7	57	M 5	-	13	Keyway 3/16 " wide x 3/32 " deep Grubscrew fixing Modular construction
4 - 102 - 12.7 - 44.3	4	102	12.7	1.734 "/1.937 "	58	104.8	12.7	8	6.3	72.5	M 6	-	14	Keyway 3/16 " wide x 3/32 " deep Grubscrew fixing Modular construction
5 - 48 - 5 - 30	5	48	5	25 / 30	30	55	3	8	10	38	M 3	-	10	Raised barrier
5 - 60 - 7 - 21	5	60	7	21 / 25 / 32	32	62	5/8 "	2.5	1.5	45	M 4	-	8	Flat insulation barrier
5 - 60 - 10 - 25	5	60	10	25	25	105.5	7	4	10	40	M 5	-	10	Raised barrier
5 - 80 - 9.5 - 35	5	80	9.5	35	40	102	9.5	5	10	57	M 5	-	12	Raised barrier
6 - 60 - 10 - 25	6	60	10	25	25	122.5	7	4	10	40	M 5	-	10	Raised barrier
6 - 70 - 10 - 35	6	70	10	35	35	102	6	6	4.5	48	M 5	-	Up to 16	Raised barrier
8 - 40 - 8 - 22	8	40	8	22	22	112	6	3	3.5	28	1.6	-	12	Flat insulation barrier
8 - 48 - 5 - 30	8	48	5	30	30	88	3	8	10	42	M 3	-	25	Raised barrier
8 - 60 - 10 - 25	8	60	10	25	25	158*	7	4	12	40	M 5	-	10	*Total length includes shrouded Terminal Grubscrew fixing
10 - 48 - 5 - 25	10	48	5	25	30	96	3	8	10	38	M 3	-	12	Raised barrier
10 - 125 - 6.5 - 70	10	125	6.5	60 / 70	75	92.5	2.5	5.5	2.5	89.75	M 4	-	10.5	Raised barrier
10 - 125 - 12 - 70	10	125	12	70	80	155	2	4	9	102	M 5	-	15	Raised barrier
11 - 125 - 5 - 70	11	125	5	60 / 70	75	80	2	5	2	89.75	M 4	-	15	Raised barrier

NB. Details for 1, 2 and 3 way slip rings are shown on Data Sheet No. 8