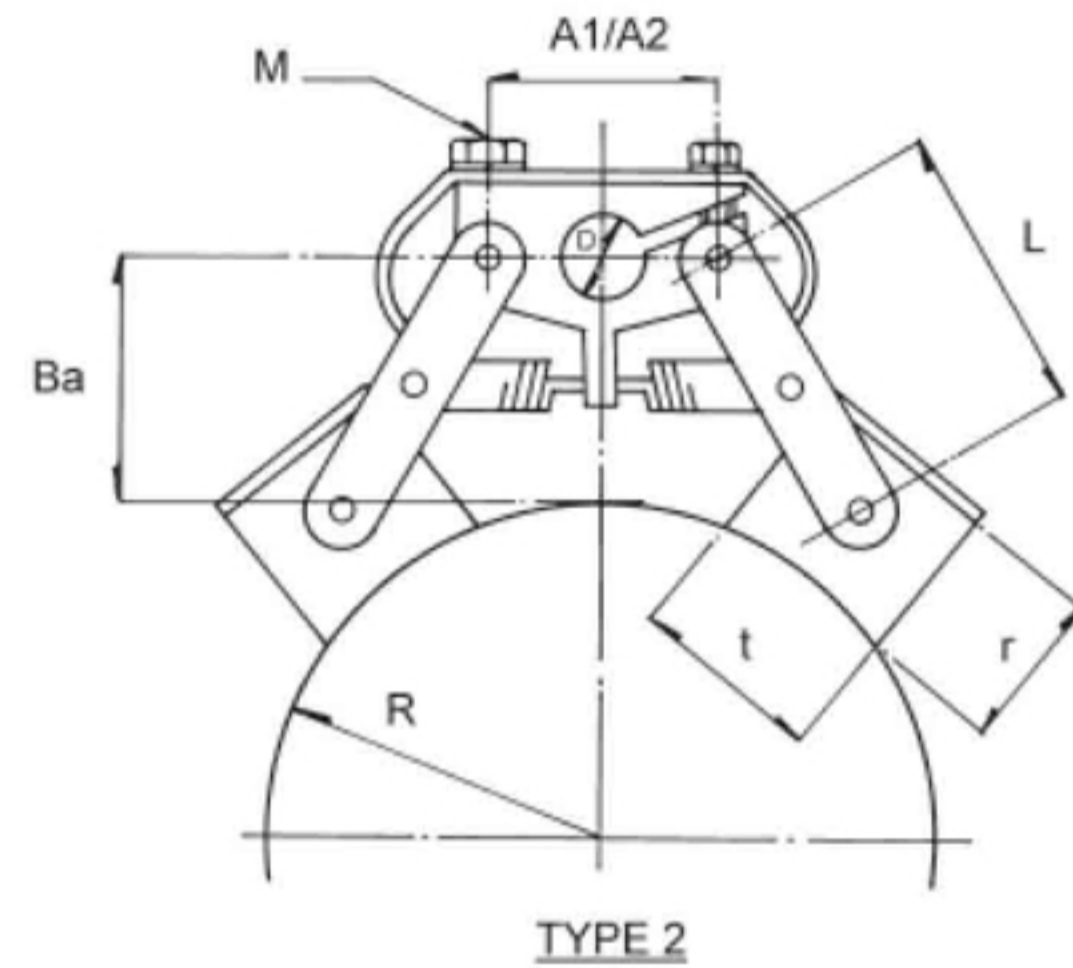
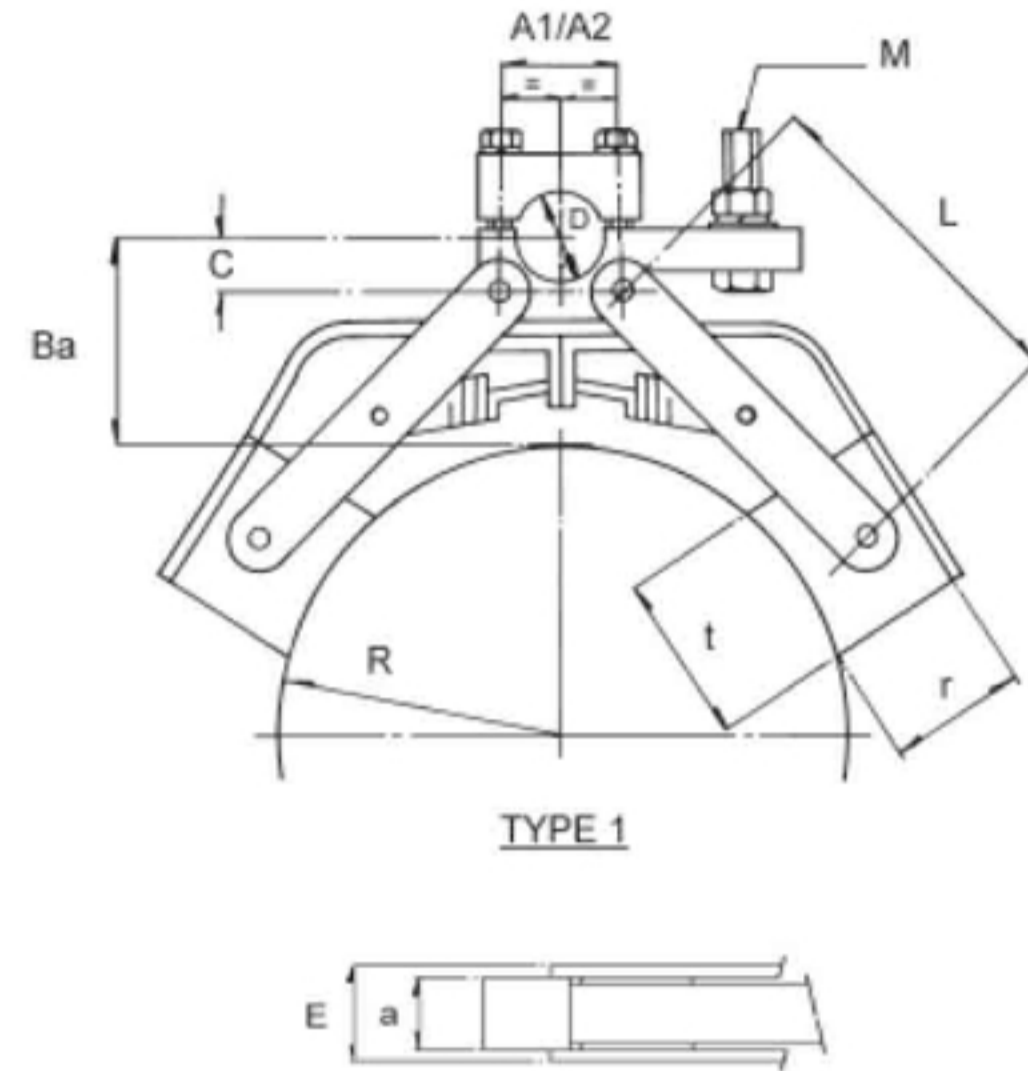


AC Series Slip Ring Brush Holders

Designed for use in slow moving power transmission applications. Brushes have pivoting facility so that they are self-aligning for larger slip ring diameters. Current is transmitted by fine woven copper braids, insulated by high temperature glass sleeving.



Reference	Current Rating	Type	Brush Dimensions			Radius Range R.	Bore D		E.	M.	Ba.	A1	A2	C.	L.
			t.	a.	r.		Normal	Up to				Terminal Screw Centres	Pivot Centre		
AC1035/70/22	100A	1	35	10	25	60 UPWARDS	22	22	17	6	50	32	32	14	70
AC1640/85/22	200A	1	40	16	30	50 UPWARDS	22	22	22	8	50	32	32	14	85
AC2050/85/22	300/400A	1	50	20	30	70 UPWARDS	22	22	26	10/12	55	32	32	14	85
AC2050/60/19/10	300A	2	50	20	30	70/135	19	19/20	30	10	30-45	30	48	-	60
AC2050/60/19/12	400A	2	50	20	30	70/135	19	19/20	30	12	30-45	30	48	-	60

20 Dixon Place, College Milton, East Kilbride, G74 5JF

Tel.: +44(0)13552 34443 Fax: +44(0)13552 47301

Email: info@nova.uk.com