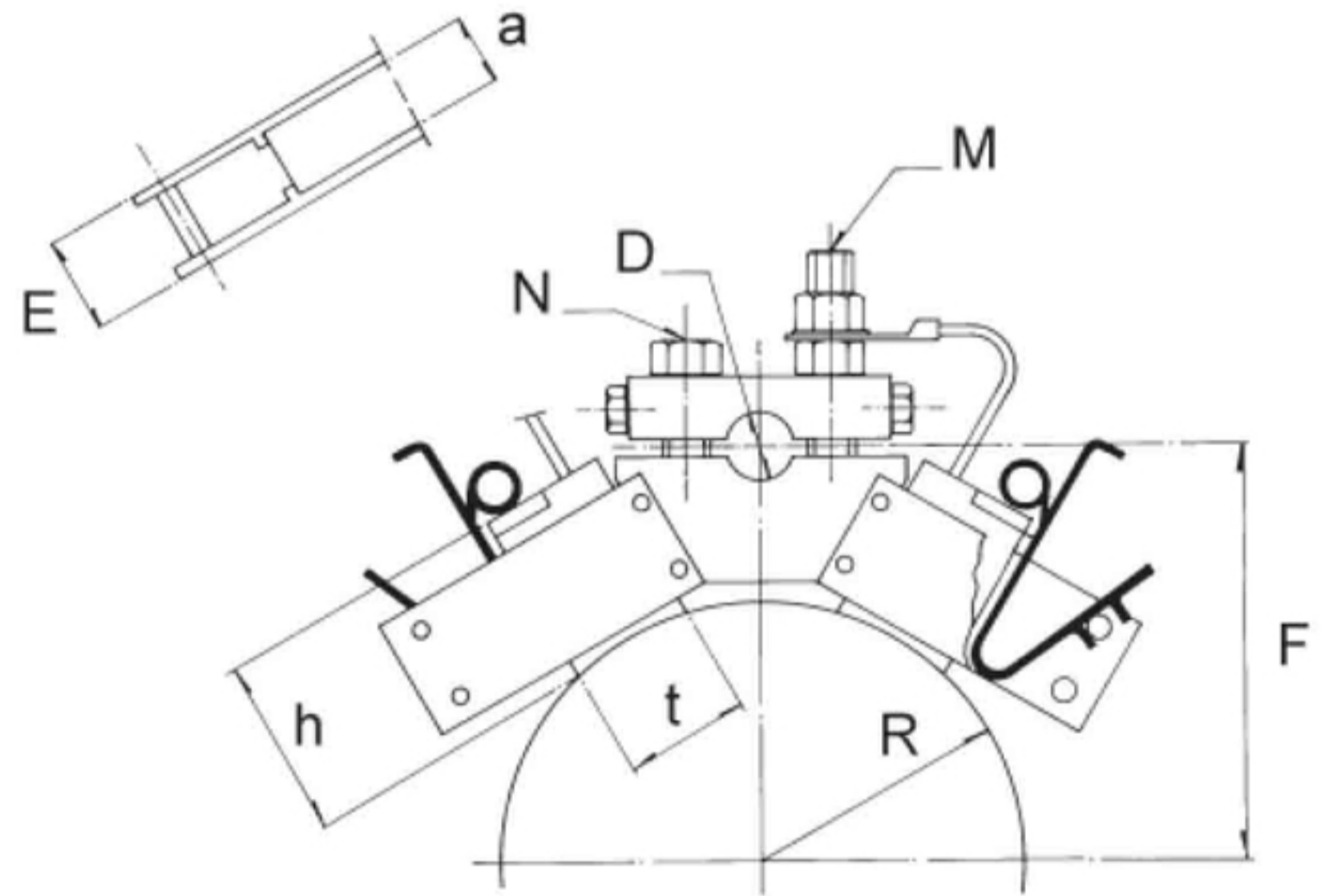


## Fixed Box Series Brush Holder Constant Force Springs



This range of brushgear has been designed for heavy duty service with slip rings. Spring pressure is via constant force springs on a stainless steel clip. It is recommended that carbon brushes have an insulated grooved top to locate the springs. Centre clamps are from extruded brass and boxes are fabricated from brass section.

Other brush box sizes are available up to a section of 1" square, giving current loadings up to 300 amps.



Reference	Brush.Dimensions				E.	N. (Clamp)	R.	M. (Terminal)	F.
	a.	t.	h.	D.					
FB80/250/100	8	25	35	16	12.5	M6	50	M6	79.4
FB100/250/12.7/100	10	25	35	12.7	15	M6	51	M6	82.5
FB127/220/20/127	12.7	22	38.1	20	18	M6	63.5	M6	105

20 Dixon Place, College Milton, East Kilbride, G74 5JF

Tel.: +44(0)13552 34443 Fax: +44(0)13552 47301

Email: [info@nova.uk.com](mailto:info@nova.uk.com)