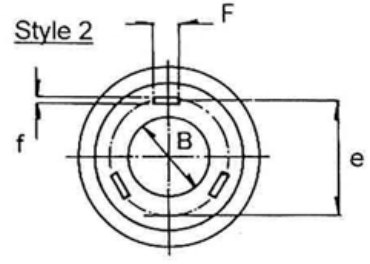
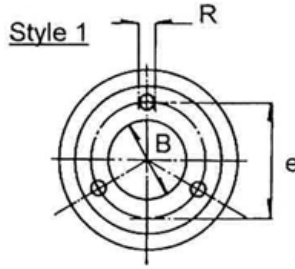
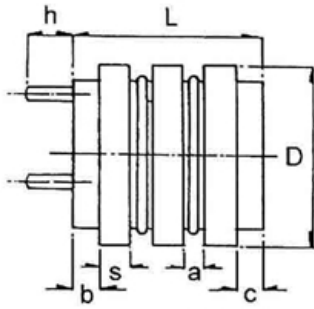
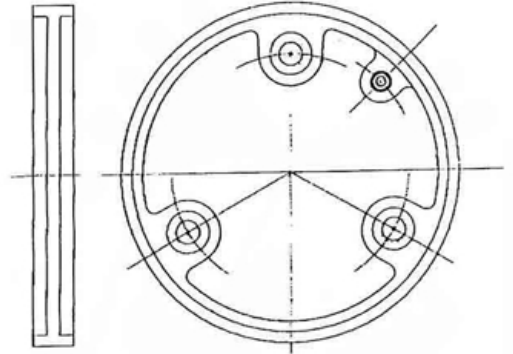
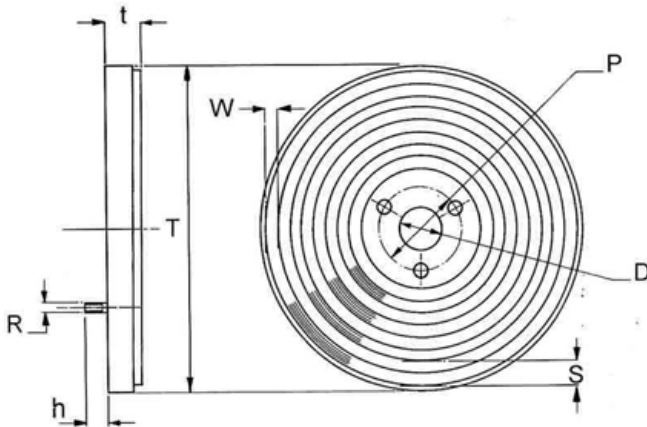


# Enquiry Details



Key in the information and dimension if possible

- |                                |         |                   |
|--------------------------------|---------|-------------------|
| Number of units required ..... | a ..... | Style 2 Fxf ..... |
| Number of rings .....          | B ..... | h .....           |
| Voltage per ring .....         | b ..... | L .....           |
| Speed of operation .....       | c ..... | Style 1 R .....   |
| Current per ring (Amps) .....  | D ..... | S .....           |
| Keyway .....                   | e ..... |                   |



## Face Type Sliprings

Key in the information and dimension if possible

- |                                |         |         |
|--------------------------------|---------|---------|
| Number of units required ..... | D ..... | S ..... |
| Number of rings .....          | h ..... | t ..... |
| Voltage per ring .....         | P ..... | T ..... |
| Speed of operation .....       | R ..... | W ..... |
| Current per ring (Amps) .....  |         |         |

## Single Rings

Key in dimensions

- |                               |  |
|-------------------------------|--|
| 1 hole dia. ....              |  |
| 3 holes dia. ....             |  |
| Dia. Of ring .....            |  |
| Width of ring .....           |  |
| Dia.centres of 1 hole .....   |  |
| Dia. centres of 3 holes ..... |  |

## Collector column

- Number of units required .....
- Number of rings .....
- Voltage per ring .....
- Speed of operation .....
- Current per ring .....
- Operation conditions .....
- Anti condensation heater .....
- Any special conditions .....

|                |                    |
|----------------|--------------------|
| Company .....  | Contact .....      |
| Address .....  | Department .....   |
| City .....     | E-mail .....       |
| County .....   | Phone .....        |
| Postcode ..... | Fax .....          |
| Country .....  | Mobile phone ..... |

Fax to the following :-

**NOVA**  
Limited

20 Dixon Place, College Milton, East Kilbride G74 5JF  
Tel: +44(0)13552 34443 Fax: +44(0)13552 47301  
email: info@nova.uk.com www.nova.uk.com