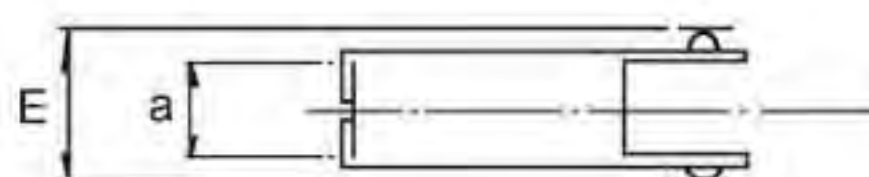
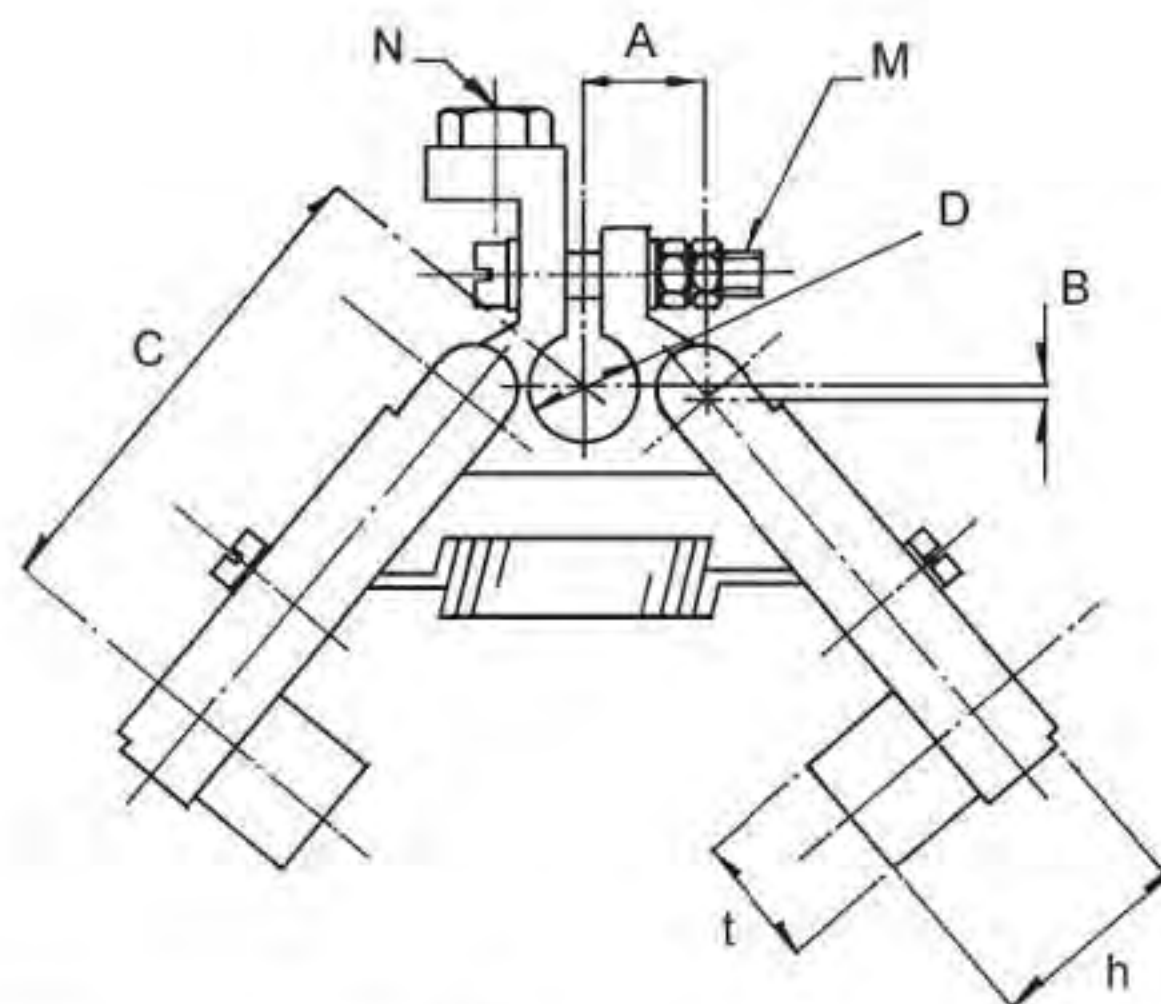


# NOVA Limited

## DDA Series Slip Ring Brush Holders

Designed for use with both fast moving slip rings i.e. Alternators and slip ring motors, and slow moving high current density applications such as cable reeling drums and leisure rides. These units are therefore very adaptable and lend themselves to many varied applications. Current ratings are available upon request.

Dimension 'C' = Approximate distance between centre of clamping hole and centre line of brush when brush holder is in working position.



Type	Brush Dimensions			Bore				E.			
	a.	t.	h.	A.	B.	C.	D.	Max.	Max.	M.	N.
DDA100/250/70	10	25	32	12.5	5	70.5	12.7	13	16	M6	M6x8
DDA127/222/64	12.7	22.2	30	15	5	64	16	19	17.5	M6	M6x8
DDA127/254/83	12.7	25.4	28	15	5	83	16	19	17.5	M6	M6x8
DDA160/320/76	16	32	32	15	5	76	16	19	21	M6	M8x10

CONSTRUCTION Brass with copper foil connections, spring: - plated spring steel.

All parts steel plated. Note: DDA160/320/76 - braid connections. Double spring versions and brushes are available upon request.

3A Langlands Square, Langlands Business Park, East Kilbride, G75 0YY  
 Tel.: +44(0)13552 34443 Fax: +44(0)13552 47301  
 Email: info@nova.uk.com