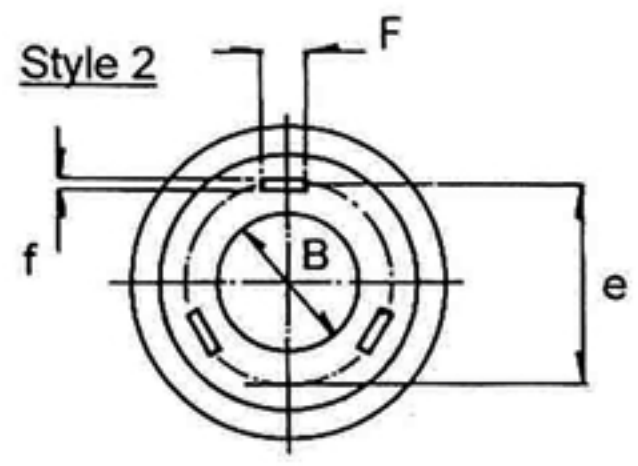
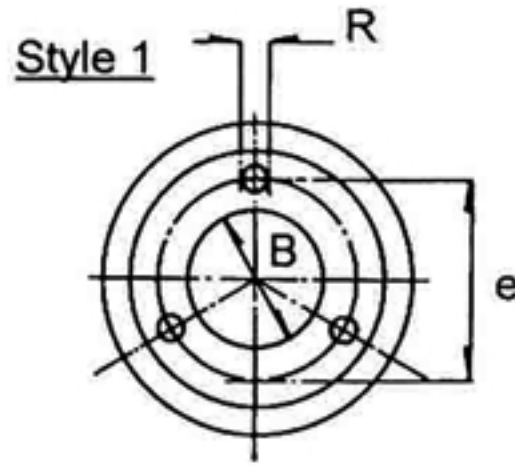
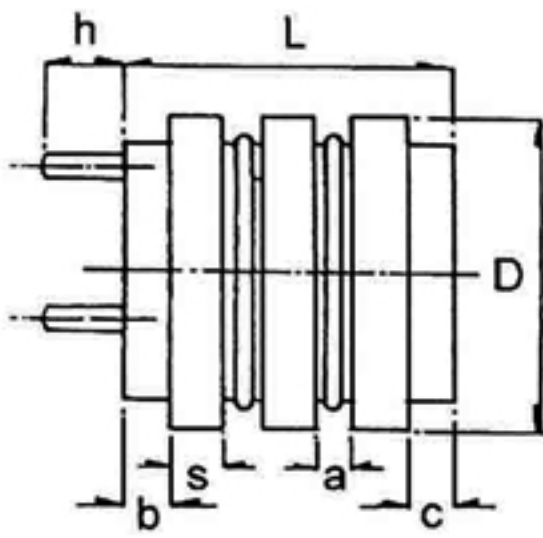
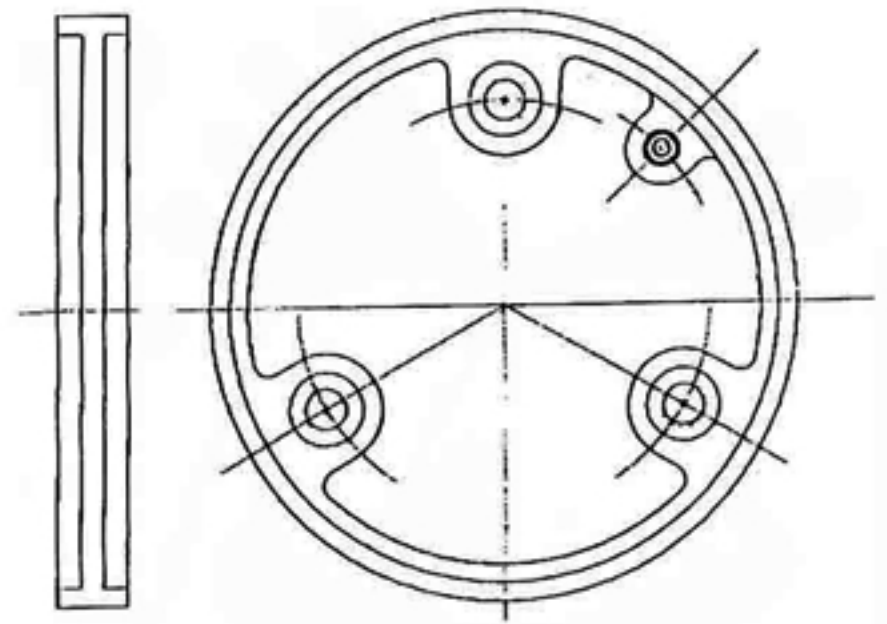
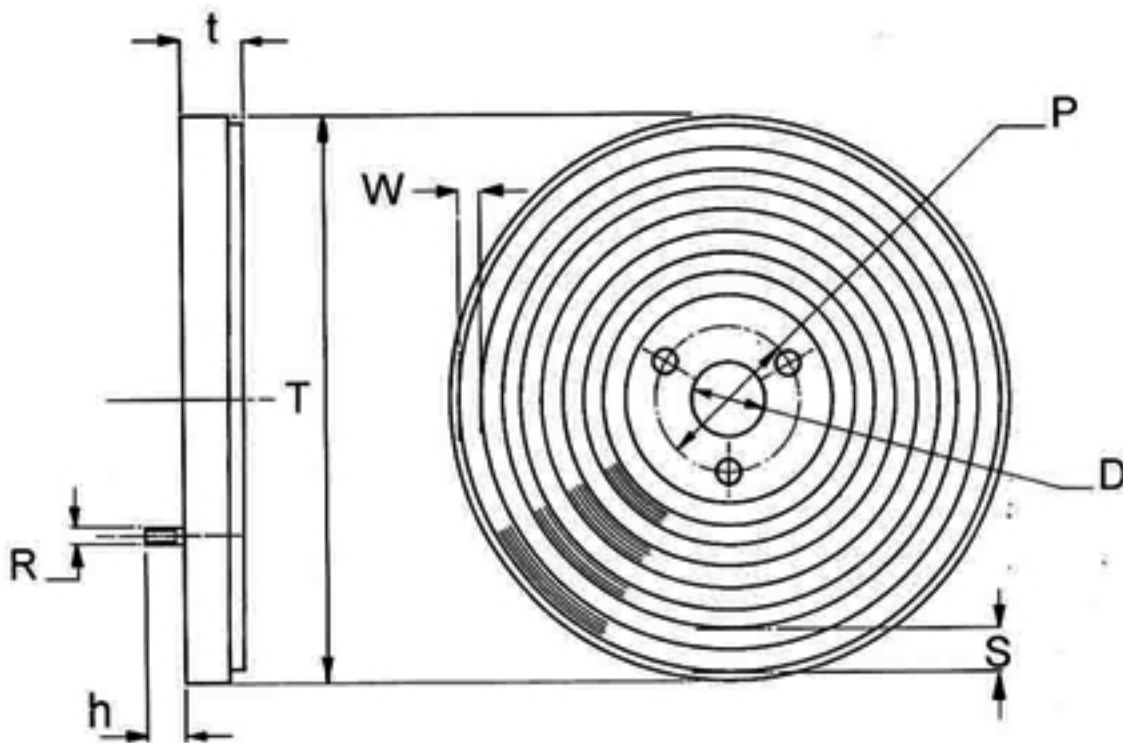


# Enquiry Details



Key in the information and dimension if possible

Number of units required .....	a .....	Style 2 Fxf .....
Number of rings .....	B .....	h .....
Voltage per ring .....	b .....	L .....
Speed of operation .....	c .....	Style 1 R .....
Current per ring (Amps) .....	D .....	S .....
Keyway .....wide, .....deep	e .....	



## Face Type Sliprings

Key in the information and dimension if possible

Number of units required .....	D .....	S .....
Number of rings .....	h .....	t .....
Voltage per ring .....	P .....	T .....
Speed of operation .....	R .....	W .....
Current per ring (Amps) .....		

## Single Rings

Key in dimensions

1 hole dia. ....	.....
3 holes dia. ....	.....
Dia. Of ring .....	.....
Width of ring .....	.....
Dia.centres of 1 hole .....	.....
Dia. centres of 3 holes .....	.....

## Collector column

Number of units required .....	.....
Number of rings .....	.....
Voltage per ring .....	.....
Speed of operation .....	.....
Current per ring .....	.....
Operation conditions .....	.....
Anti condensation heater .....	.....
Any special conditions .....	.....

Company .....	Contact .....
Address .....	Department .....
City .....	E-mail .....
County .....	Phone .....
Postcode .....	Fax .....
Country .....	Mobile phone .....

## Fax to the following :-

**NOVA**  
Limited

3A Langlands Square,  
Langlands Business Park, East Kilbride G75 0YY  
Tel: +44(0)13552 34443 Fax: +44(0)13552 47301  
email: info@nova.uk.com www.nova.uk.com